



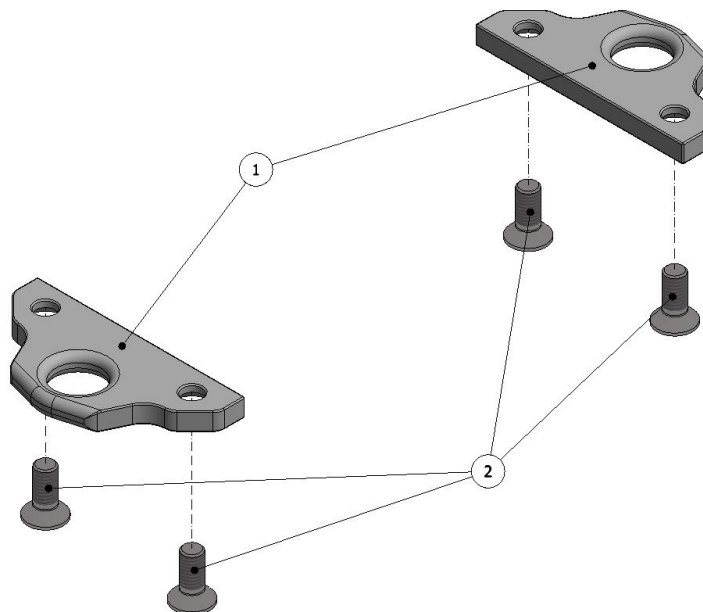
FITTING INSTRUCTIONS FOR TH0013
TRANSPORT HOOKS FOR HONDA CBR1000RR, SP & SP2 '17-



THIS KIT CONTAINS THE ITEMS PICTURED AND LABELLED BELOW.
DO NOT PROCEED UNTIL YOU ARE SURE ALL PARTS ARE PRESENT.

Please note that the way the kit is packed does not necessarily represent the way of mounting to the bike.

THE PARTS SHOWN MAY BE REPRESENTATIVE ONLY (FOR CLARITY OF INSTRUCTIONS ONLY).





LEGEND

ITEM 1 = TRANSPORT HOOK LEFT (SMW0086) (x2).

ITEM 2 = M8 x 20mm LONG COUNTERSUNK BOLTS (x2).

Please note that in cases where kits are packed with rubber washers holding the components onto the bolt – *the rubber washers should be thrown away!*

TOOLS REQUIRED

- Socket set to include 5 & 6mm socket and wrench.

GENERAL TORQUE SETTINGS

M4 BOLT = 8Nm

M5 BOLT = 12Nm

M6 BOLT = 15Nm

M8 BOLT = 20Nm

M10 BOLT = 40Nm

FITTING INSTRUCTIONS

If fitting to the CBR1000RR '17-

- Remove the OEM pillion footrests on both sides of the bike.
- Offer the left side R&G transport hook (item 1) into position on the bike and tighten into the thread on the subframe using the two M8 x 20mm long countersunk bolts (item 2), as shown above.
- Offer the right side R&G transport hook (item 1) into position on the bike and tighten into the thread on the subframe using the two M8 x 20mm long countersunk bolts (item 2), as shown above.
- Ensure the part is correctly fitted before tightening all bolts to the recommended torque values.

If fitting to the CBR1000RR SP or SP2 '17-

- The holes for the OEM pillion footrest are blank holes on the subframe and do not contain an M8 thread. If wishing to fit to an SP or SP2 model, the holes will need to be drilled and tapped to an M8 x 1.25 thread size before the R&G transport hooks can be fitted, as the procedure above shows.

Please ensure that when strapping the motorcycle down the ratchet straps do not come into contact with any part of the motorcycle, as the strap is likely to rub during transit and may cause damage.

- We recommend that fabric from the straps be in contact with the product, as opposed to the hook on the end of the strap. This will increase the lifespan of the protective coating on the product.
- Do not overtighten straps attached to the product, as it would be possible to bend or break the product with excessive force. If in any doubt please consult a professional.
- R&G cannot be held liable for any breakages to straps, or consequential damage from this, as a result of fraying/breaking of the straps, or incorrect use. Please ensure that all bodywork of the motorcycle which may come in contact with the straps (e.g. plastic panels, exhausts, swingarms) are protected or left completely clear of the straps.
- While we may show certain applications where the product is being used for attaching luggage to a motorcycle, this is not a general recommendation and cannot be achieved on all motorcycles.



- Care and attention needs to be taken whenever the product is in use for securing luggage or for tying the motorcycle down. R&G cannot accept any responsibility for inappropriate use or decisions on the part of the user. If in doubt, always consult a professional.

ISSUE 1 15/06/2017 (AR)

Digital copies of these instructions are available to download from www.rg-racing.com

CONSUMER NOTICE

The catalogue description and any exhibition of samples are only broad indications of the Products and R&G may make design changes which do not diminish their performance or visual appeal and supplying them in such state shall conform to the order. The Buyer acknowledges no representation or warranty (other than as to title) has been given or will apply to the Products other than those in R&G's order or confirmation and the Buyer confirms it has chosen the Products as being of merchantable quality and suitable for its particular purposes. Where R&G fits the Products or undertakes other services it shall exercise reasonable skill and care and rectify any fault free of charge unless the workmanship has been disturbed. The Buyer is responsible for ensuring that the warranty on the motorcycle is not affected by the fitting of the Products. On return of any defective Products R&G shall at its option either supply a replacement or refund the purchase money but shall not be liable if the Products have been modified or used or maintained otherwise than in accordance with R&G's or manufacturer's instructions and good engineering practice or if the defect arises from accident or neglect. Other than identified above and subject to R&G not limiting its liability for causing death and personal injury, it shall not be liable for indirect or consequential loss and otherwise its liability shall be limited to the amounts paid by the Buyer for the Products or the fitting or service concerned. These terms do not affect the Buyer's statutory rights.

R&G RACING RETURNS POLICY (NON-FAULTY GOODS)

Returns must be pre-authorized (if not pre-authorized the return will be rejected). Goods may only be returned direct to us if they were purchased direct from us (customer must prove if necessary). Otherwise to be returned to original vendor. Goods must be in re-sellable condition, in the opinion of R&G Racing. All returns are subject to a 25% restocking and handling fee (25% of the gross value exc. P&P – at the prevailing price at time of purchase). The customer must pay any and all carriage charges. No returns of discontinued products, unless within 14 days of purchase. This policy



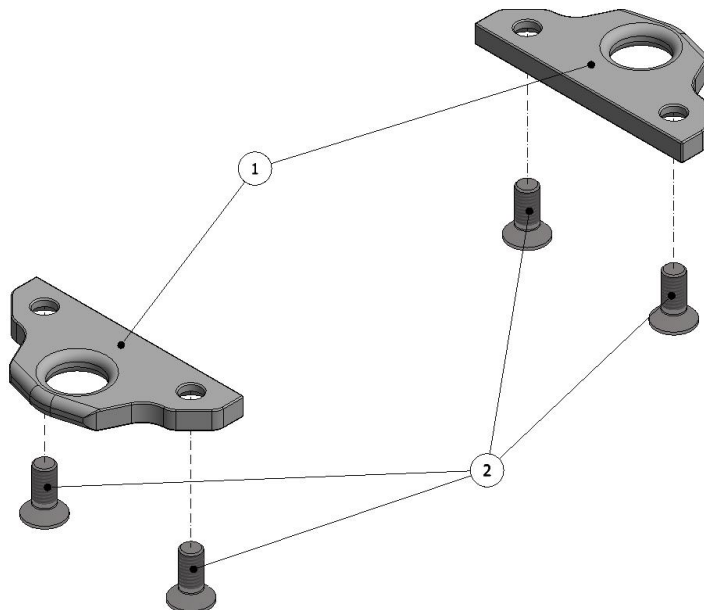
NOTICE DE MONTAGE POUR TH0013
CROCHETS DE TRANSPORT POUR HONDA CBR1000RR, SP & SP2 '17-



Le kit contient les articles exposés ci-dessous, vérifier que toutes les pièces soient présentes avant de procéder au montage.

La façon dont le kit est emballé ne correspond pas forcément à la façon de monter les pièces sur la moto.

LES PARTIES PRESENTÉES PEUVENT ÊTRE UNIQUEMENT REPRESENTATIVES (POUR LA CLARTE DES INSTRUCTIONS UNIQUEMENT).





LEGENDE

ARTICLE 1 = CROCHET DE TRANSPORT GAUCHE (SMW0086) (x2).

ARTICLE 2 = M8 x 20mm BOULONS (x2).

Notez que si les kits sont emballés avec des rondelles en caoutchouc servant à tenir les composants, *ces rondelles doivent être jetées !*

OUTILS REQUIS

- Clé à cliquet + douilles 5 & 6mm.

VALEURS DE SERRAGE RECOMMANDES

M4 BOULON = 8Nm
 M5 BOULON = 12Nm
 M6 BOULON = 15Nm
 M8 BOULON = 20Nm
 M10 BOULON = 40Nm

NOTICE DE MONTAGE :

Montage sur CBR1000RR '17-

- Enlever les repose pied passage d'origine des 2 côtés de la moto.
- Installer le crochet de transport R&G du côté gauche (article 1) en position sur la moto puis serrer dans le filetage du sous-cadre en utilisant les 2 boulons M8 x 20mm (article 2), voir ci-dessus.
- Installer le crochet de transport R&G du côté droit (article 1) en position sur la moto puis serrer dans le filetage du sous-cadre en utilisant les 2 boulons M8 x 20mm (article 2), voir ci-dessus
- Vérifier que tout soit bien installé avant de serrer tous les boulons aux valeurs recommandées.

Montage sur CBR1000RR SP or SP2 '17-

- Les trous du repose pied passage d'origine présents sur le sous-cadre sont vides, et ne possèdent pas de filetage M8. Si le montage s'effectue sur un modèle SP ou SP2, les trous doivent être forés et taraudés à taille M8 x 1.25 avant que les crochets de transport R&G puissent être montés, comme la procédure ci-dessus le montre.

Veillez à ce que lorsque le cerclage est effectué sur la moto, les sangles de cliquet ne puissent pas toucher d'autres parties de la moto.

- Nous recommandons de glisser un tissu entre les sangles et la moto, pour éviter le contact direct avec la moto. Cela augmentera la durée de vie du revêtement protecteur sur le produit.
- Ne pas trop serrer les sangles, car cela pourrait déformer ou endommager le produit du fait d'une force excessive. Dans le doute, sollicitez un professionnel.
- R&G ne peut être tenu responsable en cas de rupture des sangles, ou des dommages consécutifs à cette rupture. Veillez à ce que le carénage de la moto ne puisse pas entrer en contact avec les sangles (panneaux plastique, pot d'échappement, bras oscillant) car cela pourrait l'endommager.



- Même si nous montrons quelques applications des accroches de bagage sur la moto, il s'agit uniquement d'exemples et non d'une utilisation générale.
- Lors de l'utilisation du produit pour fixer des bagages, veuillez à effectuer un serrage approprié. R&G n'acceptera aucune responsabilité en cas de mauvaise utilisation de la protection par son utilisateur. En cas de doute, sollicitez un professionnel.

ISSUE 1 15/06/2017 (AR)

Notice disponible au téléchargement sur www.rg-racing.com

CONSUMER NOTICE

The catalogue description and any exhibition of samples are only broad indications of the Products and R&G may make design changes which do not diminish their performance or visual appeal and supplying them in such state shall conform to the order. The Buyer acknowledges no representation or warranty (other than as to title) has been given or will apply to the Products other than those in R&G's order or confirmation and the Buyer confirms it has chosen the Products as being of merchantable quality and suitable for its particular purposes. Where R&G fits the Products or undertakes other services it shall exercise reasonable skill and care and rectify any fault free of charge unless the workmanship has been disturbed. The Buyer is responsible for ensuring that the warranty on the motorcycle is not affected by the fitting of the Products. On return of any defective Products R&G shall at its option either supply a replacement or refund the purchase money but shall not be liable if the Products have been modified or used or maintained otherwise than in accordance with R&G's or manufacturer's instructions and good engineering practice or if the defect arises from accident or neglect. Other than identified above and subject to R&G not limiting its liability for causing death and personal injury, it shall not be liable for indirect or consequential loss and otherwise its liability shall be limited to the amounts paid by the Buyer for the Products or the fitting or service concerned. These terms do not affect the Buyer's statutory rights.

R&G RACING RETURNS POLICY (NON-FAULTY GOODS)

Returns must be pre-authorized (if not pre-authorized the return will be rejected). Goods may only be returned direct to us if they were purchased direct from us (customer must prove if necessary). Otherwise to be returned to original vendor. Goods must be in re-sellable condition, in the opinion of R&G Racing. All returns are subject to a 25% restocking and handling fee (25% of the gross value exc. P&P – at the prevailing price at time of purchase). The customer must pay any and all carriage charges. No returns of discontinued products, unless within 14 days of purchase. This policy does not affect your statutory rights and does not refer to faulty goods.